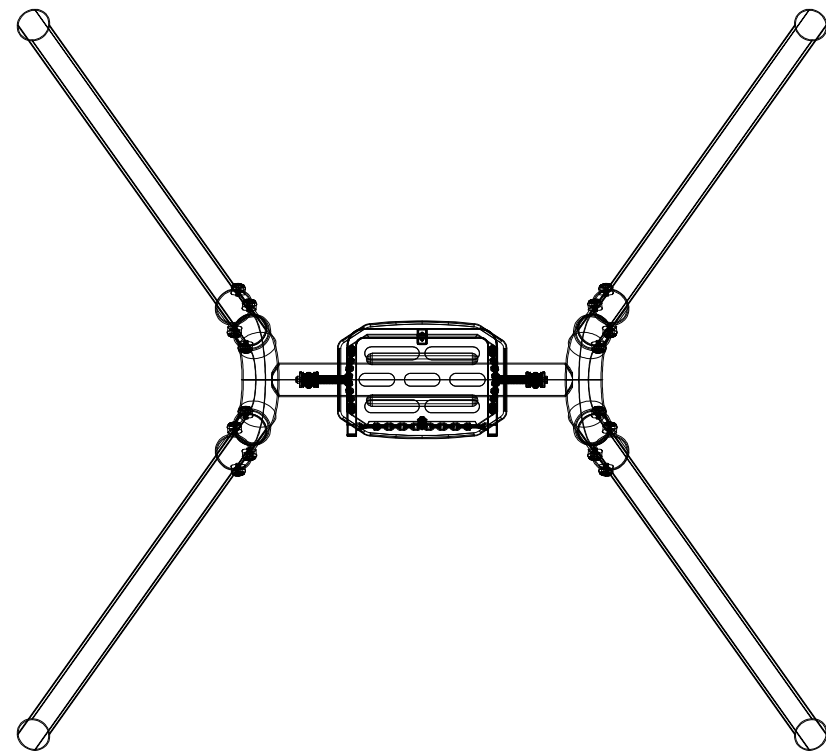


4950



5090

— SAFETY AREA

SPECIAL - pluto
cat. no. GM1601ns

SAFETY AREA
25 m²

INTER-PLAY
ul. Małkowskiego 1/3
70-304 Szczecin

phone: +48 91 422 33 99
fax: +48 91 423 02 31
e-mail: export@inter-play.info

SCALE:
1:20